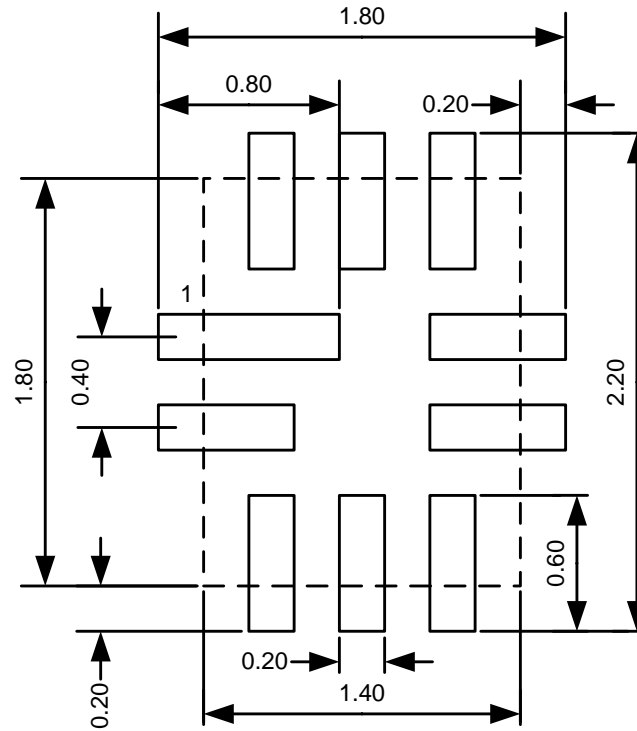


**QFN10 1.8×1.4**

**Land Pattern (103-1814-10)**



**NOTES:**

1. Compound dimension: 1.80×1.40.
2. Unit: mm.
3. General tolerance  $\pm 0.05\text{mm}$  unless otherwise specified.
4. The layout is just for reference.