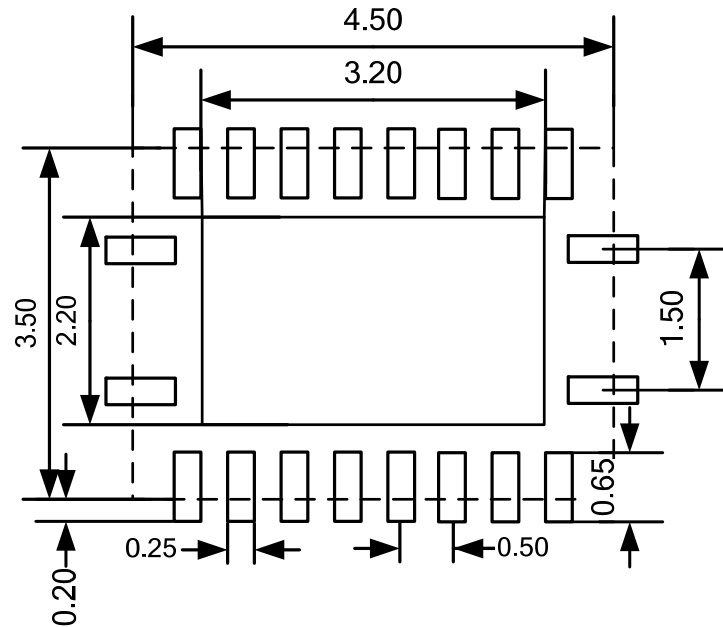


**QFN20 4.5×3.5**

**Land Pattern (103-4535-20)**



**NOTES:**

1. Compound dimension: 4.50×3.50.
2. Unit: mm.
3. General tolerance  $\pm 0.05$ mm unless otherwise specified.
4. The layout is just for reference.