

20V P-Channel Power MOSFET

UM8517P6 SOT363

General Description

The UM8517P6 are low threshold P-channel MOSFETs, having extremely low on-resistance. This benefit provides the designer with an extremely efficient device for use in battery and load management applications. The UM8517P6 uses a space-saving, small-outline SOT363 package.

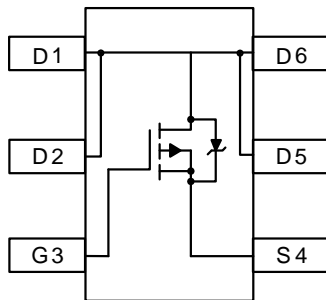
Applications

- Battery Packs
- Battery-Powered Portable Equipments
- Cellular and Cordless Telephones

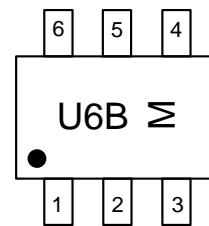
Features

- Drain-Source Voltage (Max): -20V
- Low On-Resistance:
 $R_{DS(ON)} < 130m\Omega @ V_{GS} = -4.5V, I_D = -2.8A$
 $R_{DS(ON)} < 150m\Omega @ V_{GS} = -2.5V, I_D = -2.0A$
- Continuous Drain Current (Max):
 $-2.8A @ 25^\circ C$

Pin Configurations



Top View



M: Month Code
UM8517P6
SOT363

Ordering Information

Part Number	Packaging Type	Marking Code	Shipping Qty
UM8517P6	SOT363	U6B	3000pcs/7 Inch Tape & Reel

Absolute Maximum Ratings

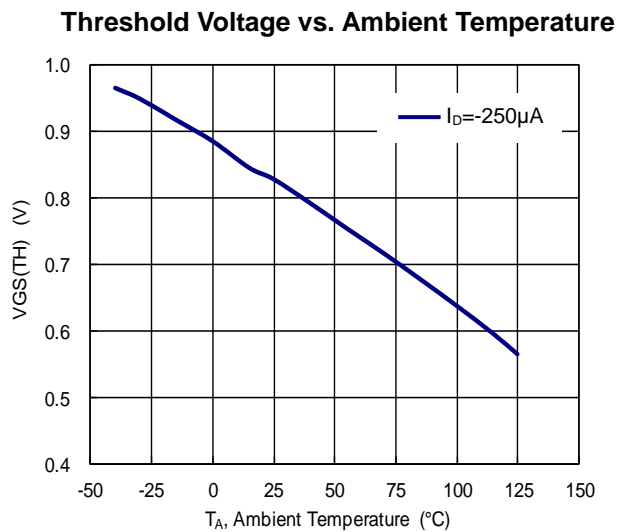
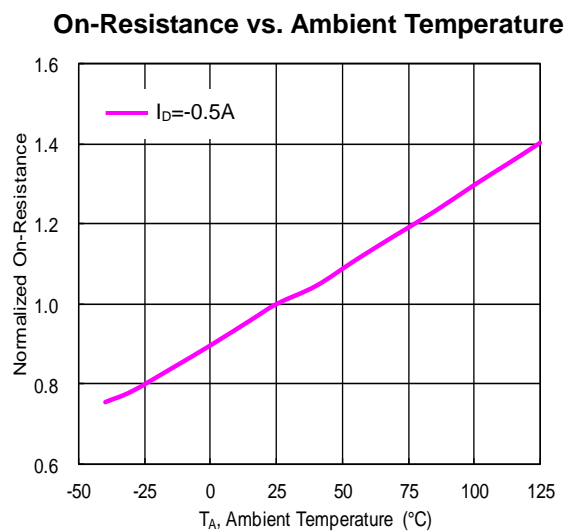
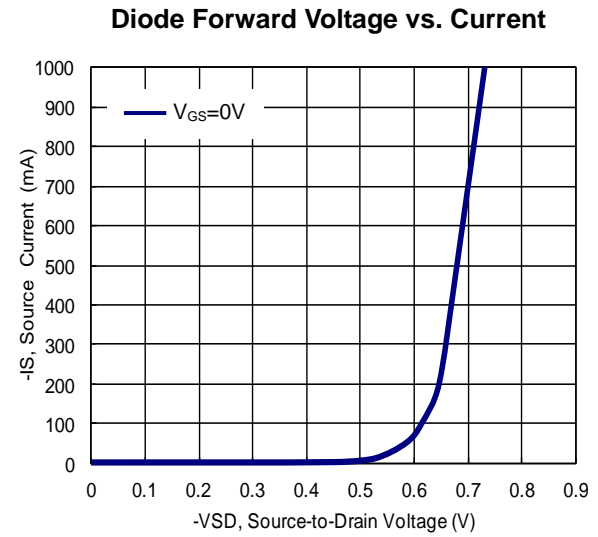
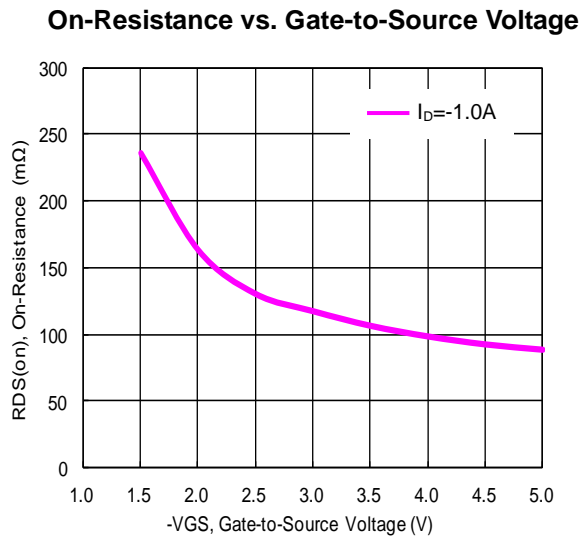
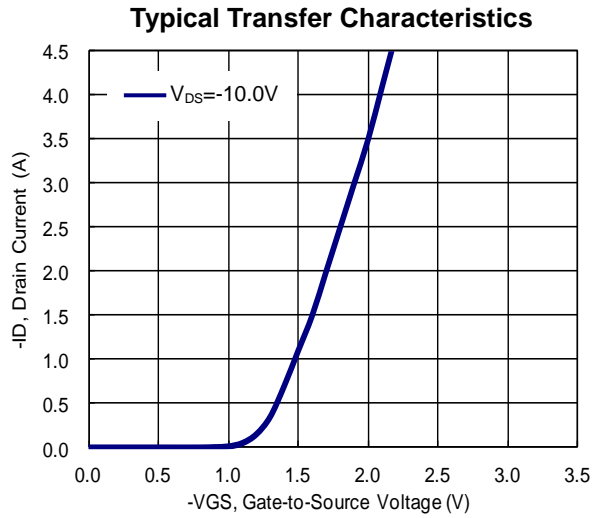
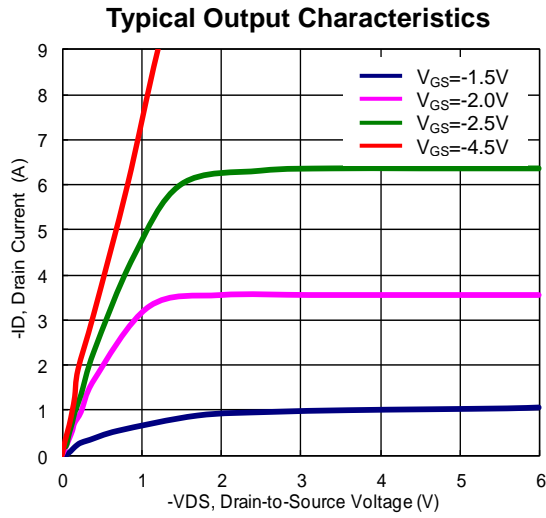
Symbol	Parameter	Value	Units
V_{DSS}	Drain-Source Voltage	-20	V
V_{GS}	Gate-Source Voltage	± 12	V
I_D	Continuous Drain Current	-2.8	A
I_{DM}	Drain Current Pulsed	-9	A
P_D	Power Dissipation	1	W
T_J	Junction Temperature	-55~150	°C
T_{STG}	Storage Temperature	-55~150	°C
$R_{\theta JA}$	Thermal Resistance, Junction-to-Ambient	125	°C/W

Electrical Characteristics

 (T_A=25 °C, unless otherwise noted)

Symbol	Parameter	Test Condition	Min	Typ	Max	Unit
Off Characteristics						
BV _{DSS}	Drain to Source Breakdown Voltage	V _{GS} =0V, I _D =-250μA	-20			V
I _{DSS}	Zero Gate Voltage Drain Current	V _{DS} =-20V, V _{GS} =0V			-1	μA
I _{GSS}	Gate-to-Source Leakage Current	V _{GS} =±12V, V _{DS} =0V			±100	nA
On Characteristics						
R _{DS(ON)}	Static Drain-to-Source On-Resistance	V _{GS} =-4.5V, I _D =-2.8A		110	130	mΩ
		V _{GS} =-2.5V, I _D =-2.0A		130	150	
V _{GS(TH)}	Gate Threshold Voltage	V _{DS} = V _{GS} , I _D =-250μA	-0.4	-0.7	-1	V
g _{fs}	Forward Transconductance	V _{DS} =-5V, I _D =-2.0A		6		S
Dynamic Characteristics						
C _{iss}	Input Capacitance	V _{GS} =0V, V _{DS} =-15V, f=1.0MHz		405		pF
C _{oss}	Output Capacitance			75		
C _{rss}	Reverse Transfer Capacitance			55		
Switching Characteristics						
Q _{g(TH)}	Threshold Gate Charge	V _{DS} =-10V, V _{GS} =-4.5V, I _D =-1.0A		3.3		nC
Q _{GS}	Gate-Source Charge			0.7		
Q _{GD}	Gate-Drain Charge			1.3		
td(on)	Turn-on Delay Time	V _{GS} =-4.5V, V _{DS} =-10V, I _D =-1.0A R _{GEN} =10Ω		11		ns
tr	Rise Time			35		
td(off)	Turn-off Delay Time			30		
tf	Fall Time			10		
Drain-Source Diode Characteristics and Maximum Ratings						
V _{SD}	Forward Diode Voltage	V _{GS} =0V, I _S =-1A		-0.7	-1.2	V

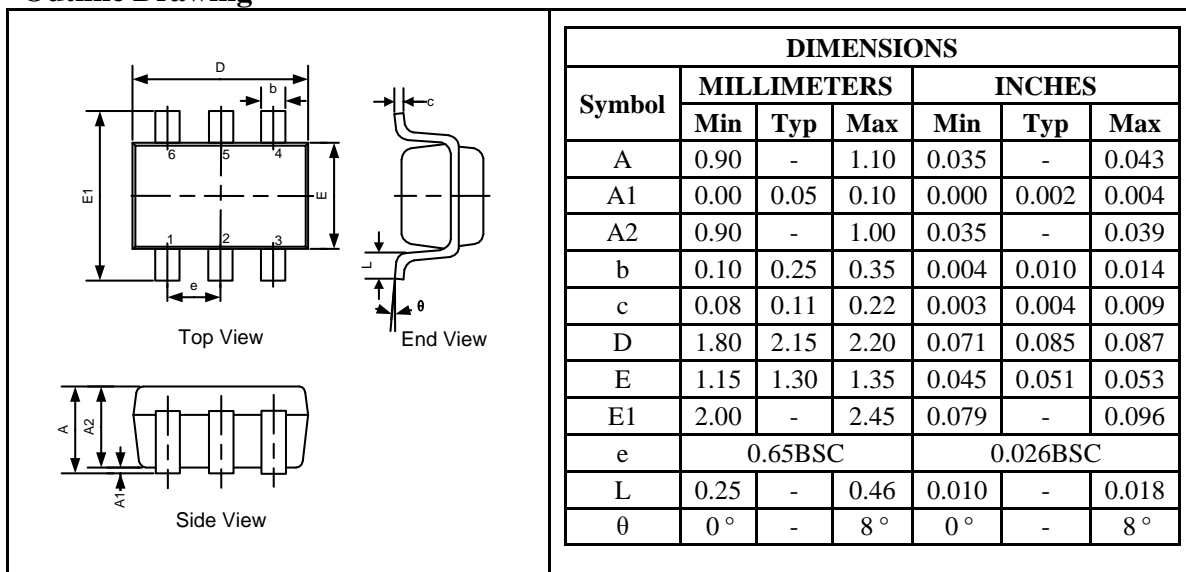
Typical Characteristics



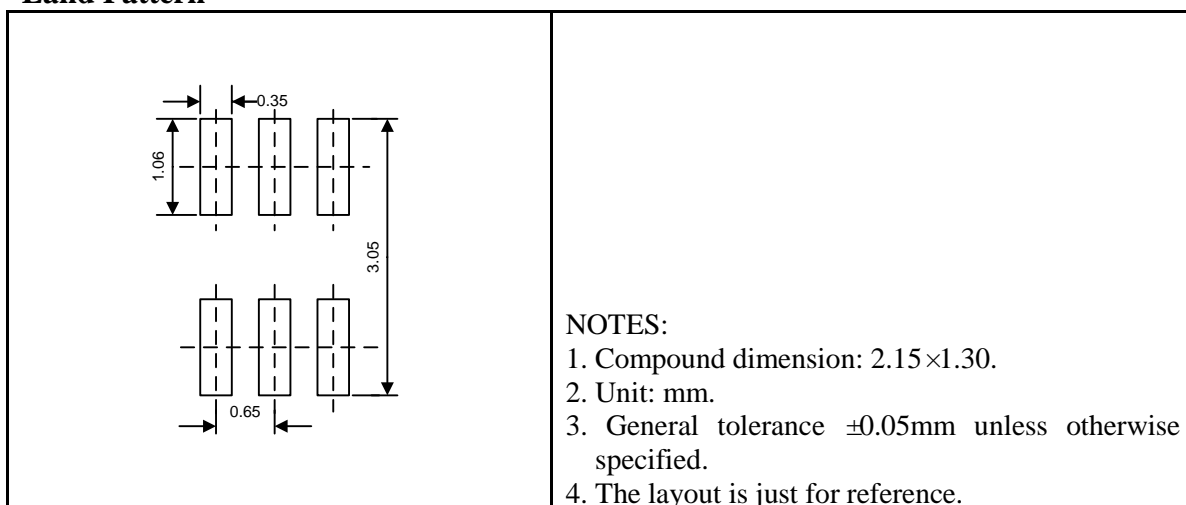
Package Information

UM8517P6 SOT363

Outline Drawing



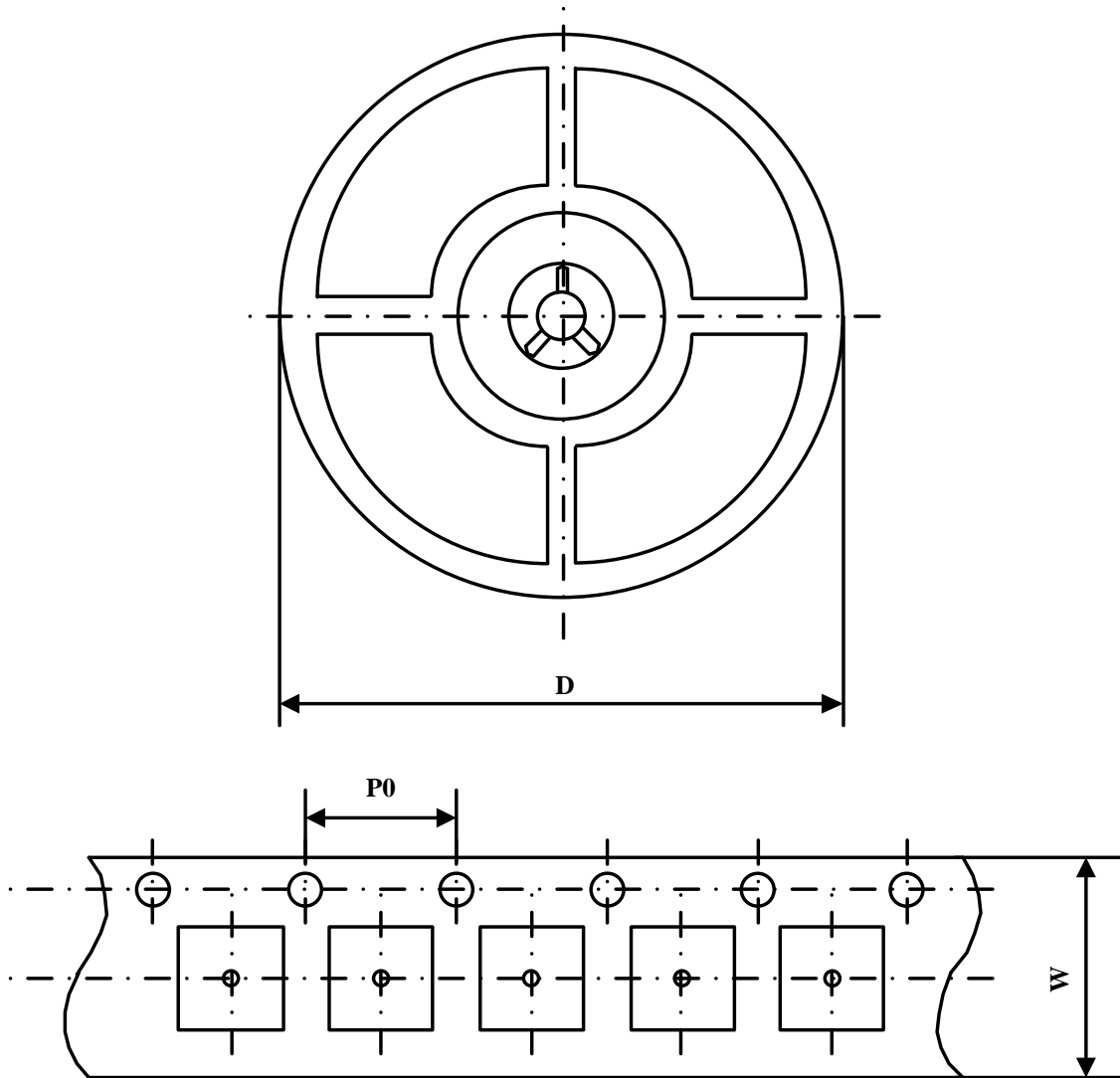
Land Pattern



Tape and Reel Orientation



Packing Information



Part Number	Package Type	Carrier Width(W)	Pitch(P0)	Reel Size(D)
UM8517P6	SOT363	8 mm	4 mm	180 mm

GREEN COMPLIANCE

Union Semiconductor is committed to environmental excellence in all aspects of its operations including meeting or exceeding regulatory requirements with respect to the use of hazardous substances. Numerous successful programs have been implemented to reduce the use of hazardous substances and/or emissions.

All Union components are compliant with the RoHS directive, which helps to support customers in their compliance with environmental directives. For more green compliance information, please visit:

http://www.union-ic.com/index.aspx?cat_code=RoHSDeclaration

IMPORTANT NOTICE

The information in this document has been carefully reviewed and is believed to be accurate. Nonetheless, this document is subject to change without notice. Union assumes no responsibility for any inaccuracies that may be contained in this document, and makes no commitment to update or to keep current the contained information, or to notify a person or organization of any update. Union reserves the right to make changes, at any time, in order to improve reliability, function or design and to attempt to supply the best product possible.