

6 Line ESD/EMI Protection for Color LCD Interfaces

UM6411 DFN12 2.5×1.3

General Description

The UM6411 is a low pass filter array with integrated TVS diodes. It is designed to suppress unwanted EMI/RFI signals and provide electrostatic discharge (ESD) protection in portable electronic equipment. This state-of-the-art device utilizes solid-state silicon-avalanche technology for superior clamping performance and DC electrical characteristics. They have been optimized for protection of color LCD panels in cellular phones and other portable electronics. The device consists of six identical circuits comprised of TVS diodes for ESD protection, and a resistor-capacitor network for EMI/RFI filtering. A series resistor value of 100Ω and a capacitance value of 10pF are used to achieve 30dB minimum attenuation from 800MHz to 2.5GHz. The TVS diodes provide effective suppression of ESD voltages in excess of ±15kV (air discharge) and ±8kV (contact discharge) per IEC 61000-4-2, level 4. The UM6411 is in a 12-pin, RoHS compliant, DFN12 2.5mm×1.3mm package. The leads are spaced at a pitch of 0.4mm and are finished with lead-free Ni Pd. The small package makes it ideal for use in portable electronics such as cell phones, digital still cameras, and PDAs.

Applications

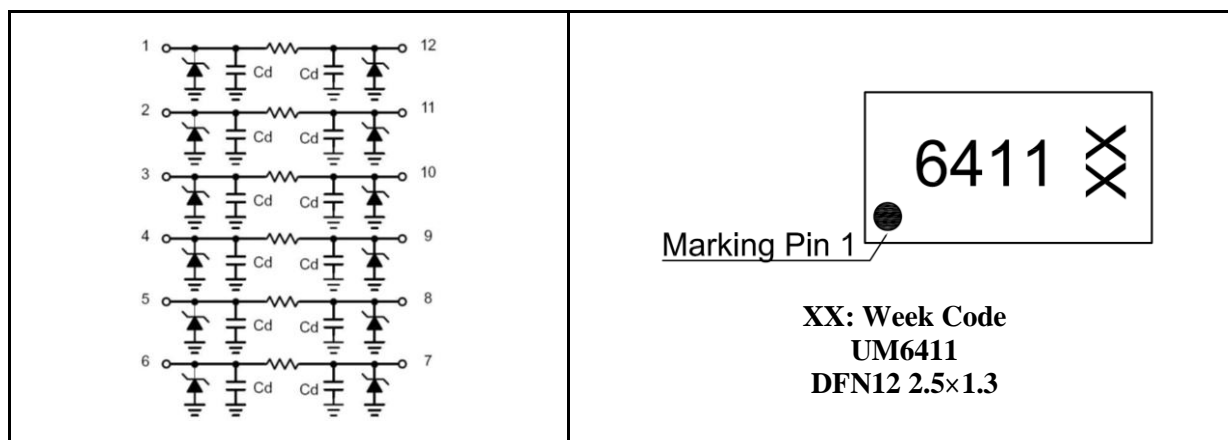
- Color LCD Protection
- Cell Phone CCD Camera Lines
- Bottom Connector Cell Phones

Features

- Bidirectional EMI/RFI Filter with Integrated TVS
- ESD Protection to IEC 61000-4-2 (ESD) Level 4, ±15kV (Air), ±8kV (Contact)
- 30dB Minimum Attenuation: 800MHz to 2.5GHz
- TVS Working Voltage: 5V
- Resistor: 100Ω±15%
- Typical Capacitance: 10pF ($V_R=2.5V$)
- Protection and Filtering for Six Lines
- Solid-State Technology

Pin Configurations

Top View



Ordering Information

Part Number	Working Voltage	Packaging Type	Channel	Marking Code	Shipping Qty
UM6411	5.0V	DFN12 2.5×1.3	6	6411	3000pcs/7 Inch Tape & Reel

Absolute Maximum Ratings

Symbol	Parameter	Value	Unit
T_J	Junction Temperature	125	°C
P_R	Steady-State Power Per Resistor @ 25°C	328	mW
T_{OP}	Operating Temperature Range	-40 to 85	°C
T_{STG}	Storage Temperature Range	-55 to 150	°C
T_L	Maximum Lead Temperature for Soldering	260	°C

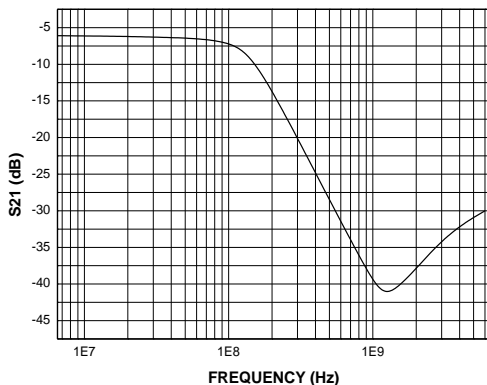
Electrical Characteristics

Symbol	Parameter	Conditions	Min	Typ	Max	Unit
V_{RWM}	Reverse Stand-Off Voltage				5	V
V_{BR}	Reverse Breakdown Voltage	$I_T=1mA$	6	7	8	V
I_R	Reverse Leakage Current	$V_{RWM}=3.0V$			0.5	μA
R_A	Total Series Resistance	$I_R=20mA$ Each Line	85	100	115	Ω
C_d	Total Capacitance	Input to GND, Each Line $V_R=0V, f=1MHz$	16	20	24	pF
C_d	Total Capacitance	Input to GND, Each Line $V_R=2.5V, f=1MHz$	9	10	12	pF
f_{3dB}	Cut-Off Frequency (Note 1)	Above this frequency, appreciable attenuation occurs		150		MHz

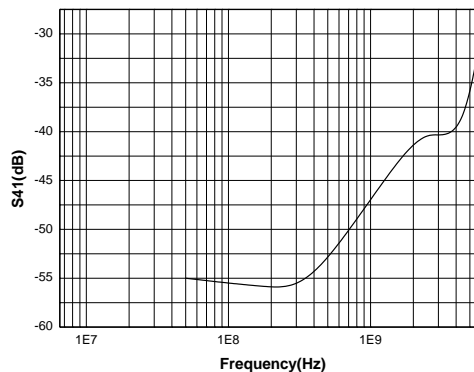
Note 1: 50 Ω source and 50 Ω load termination.

Typical Operating Characteristics

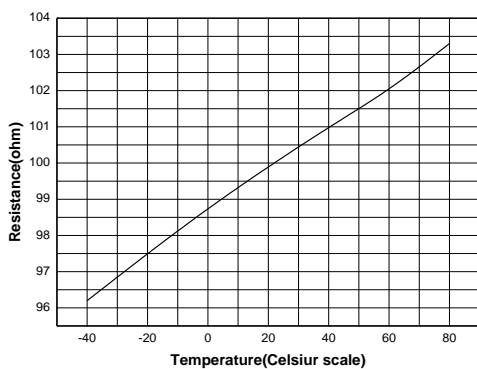
Typical Insertion Loss S21



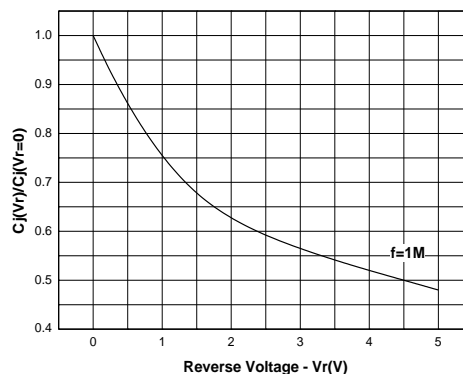
Analog Crosstalk Curve (S41)



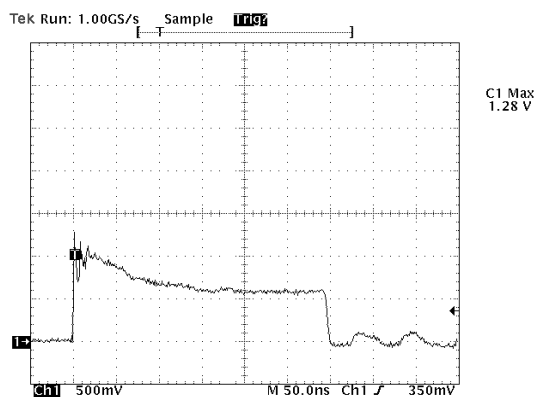
Typical Resistance vs. Temperature



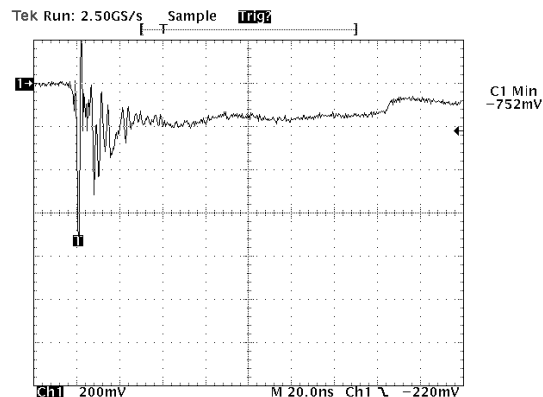
Capacitance vs. Reverse Voltage



ESD Clamping (+8kV Contact)



ESD Clamping (-8kV Contact)



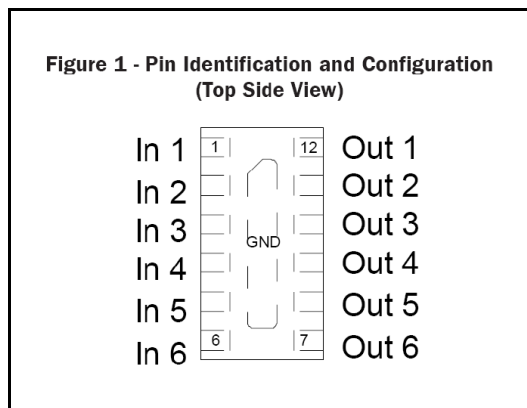
Applications Information

Device Connection

The UM6411 is comprised of six identical circuits each consisting of a low pass filter for EMI/RFI suppression and dual TVS diodes for ESD protection. The device is in a 12-pin DFN package. Electrical connection is made to the 12 pins located at the bottom of the device. A center tab serves as the ground connection. The device has a flow through design for easy layout. Pin connections are noted in Figure 1. All path lengths should be kept as short as possible to minimize the effects of parasitic inductance in the board traces. Recommendations for the ground connection are given below.

Ground Connection Recommendation

Parasitic inductance present in the board layout will affect the filtering performance of the device. As frequency increases, the effect of the inductance becomes more dominant. This effect is given by Equation 1.



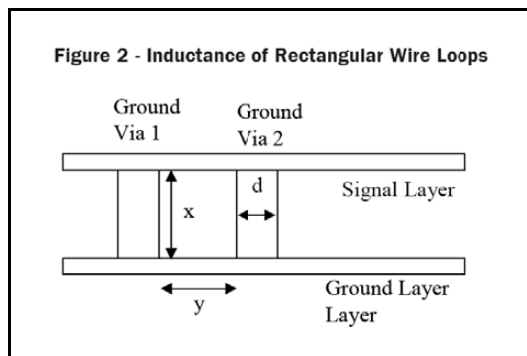
Pin	Identification
1 - 6	Input Lines
7 - 12	Output Lines
Center Tab	Ground

Equation 1: The Impedance of an Inductor at Frequency XLF

$$X_{LF}(L, f) = 2 \times \pi \times f \times L$$

Where:
 L= Inductance (H)
 f = Frequency (Hz)

Via connections to the ground plane form rectangular wire loops or ground loop inductance as shown in Figure 2. Ground loop inductance can be reduced by using multiple vias to make the connection to the ground plane. Bringing the ground plane closer to the signal layer (preferably the next layer) also reduces ground loop inductance. Multiple vias in the device ground pad will result in a lower inductive ground loop over two exterior vias. Vias with a diameter *d* are separated by a distance *y* run between layers separated by a distance *x*. The inductance of the loop path is given by Equation 2. Thus, decreasing distance *x* and *y* will reduce the loop inductance and result in better high frequency filter characteristics.

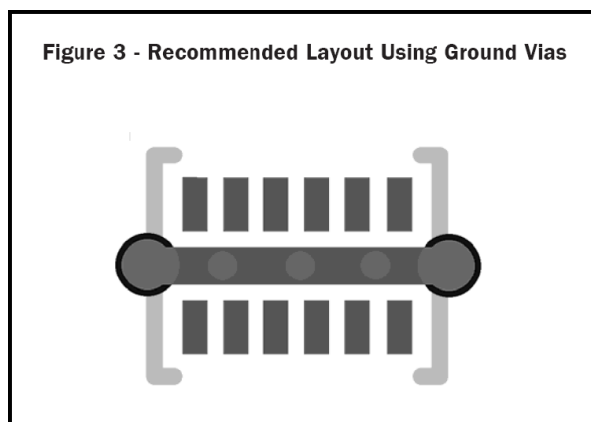


Equation 2: Inductance of Rectangular Wire Loop

$$L_{RECT}(d, x, y) = 10.16 \times 10^{-9} * \left[x * \ln\left[\frac{2+y}{d}\right] + y * \ln\left[\frac{2+x}{d}\right] \right]$$

Where:
d = Diameter of the wire (in)
x = Length of wire loop (in)
y = Breath of wire loop (in)

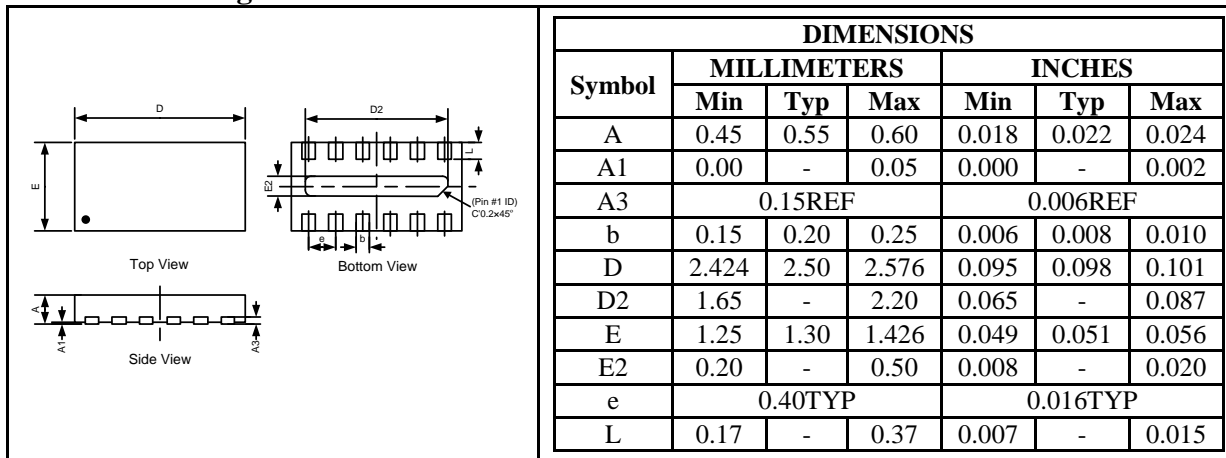
Figure 3 shows the recommended device layout. The ground pad vias have a diameter of 0.008 inches (0.20mm) while the two external vias have a diameter of 0.010 inches (0.250mm). The internal vias are spaced approximately evenly from the center of the pad. The designer may choose to use more vias with a smaller diameter (such as 0.005 inches or 0.125mm) since changing the diameter of the via will result in little change in inductance (i.e. the log function in Equation 2 is highly insensitive to parameter d).



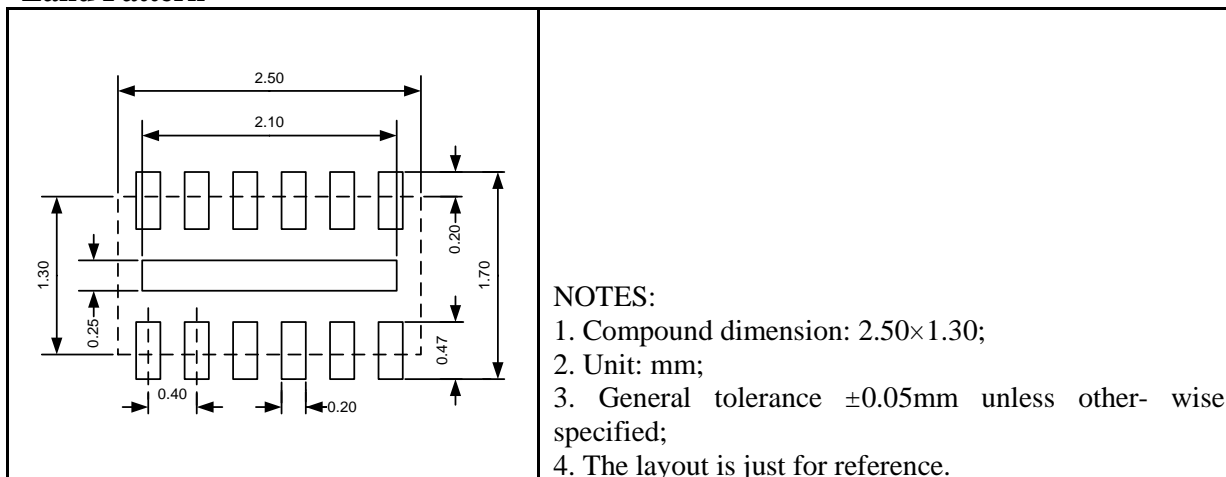
Package Information

UM6411: DFN12 2.5×1.3

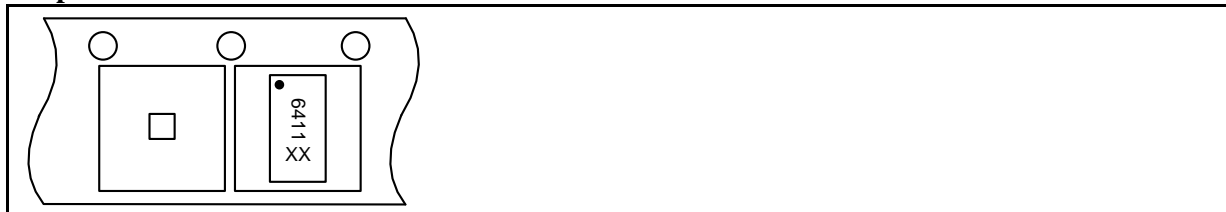
Outline Drawing



Land Pattern



Tape and Reel Orientation



GREEN COMPLIANCE

Union Semiconductor is committed to environmental excellence in all aspects of its operations including meeting or exceeding regulatory requirements with respect to the use of hazardous substances. Numerous successful programs have been implemented to reduce the use of hazardous substances and/or emissions.

All Union components are compliant with the RoHS directive, which helps to support customers in their compliance with environmental directives. For more green compliance information, please visit:

http://www.union-ic.com/index.aspx?cat_code=RoHSDeclaration

IMPORTANT NOTICE

The information in this document has been carefully reviewed and is believed to be accurate. Nonetheless, this document is subject to change without notice. Union assumes no responsibility for any inaccuracies that may be contained in this document, and makes no commitment to update or to keep current the contained information, or to notify a person or organization of any update. Union reserves the right to make changes, at any time, in order to improve reliability, function or design and to attempt to supply the best product possible.



Union Semiconductor, Inc

Add: Unit 606, No.570 Shengxia Road, Shanghai 201210

Tel: 021-51093966

Fax: 021-51026018

Website: www.union-ic.com